

overview

The ALX is a range of 15W-240W LED area lights designed to meet international standards in safety and durability with unsurpassed light output in such a small form factor.

A range of optics are available for almost any light distribution requirement. This is achieved using some of the leading secondary LED optics in the world which ensure that light is distributed to its intended location. Combining leading German manufacturer, OSRAM Opto LEDs with solid thermal management, we extend the expected life span of the ALX luminaires in the African climate. Furthermore, by eliminating moving parts, we have designed this luminaire to be extremely durable.

The ALX range offers a significant increase in light performance while reducing energy usage by up to 75%. Additional savings are made with virtually no maintenance, lamp and labour replacement costs or down time being required.

The ALX range is Renewable Ready. Low voltage DC versions are available, making them ideal for emergency lighting and remote location usage.

Pro Visual's ALX range is completed with Infra-red (IR) luminaires developed for customers seeking the benefits of energy efficiency and optimised camera performance that LED lighting offers. IR light, which is invisible to the human eye but visible to CCTV cameras, is ideal for surveillance where cameras can see but intruders cannot.

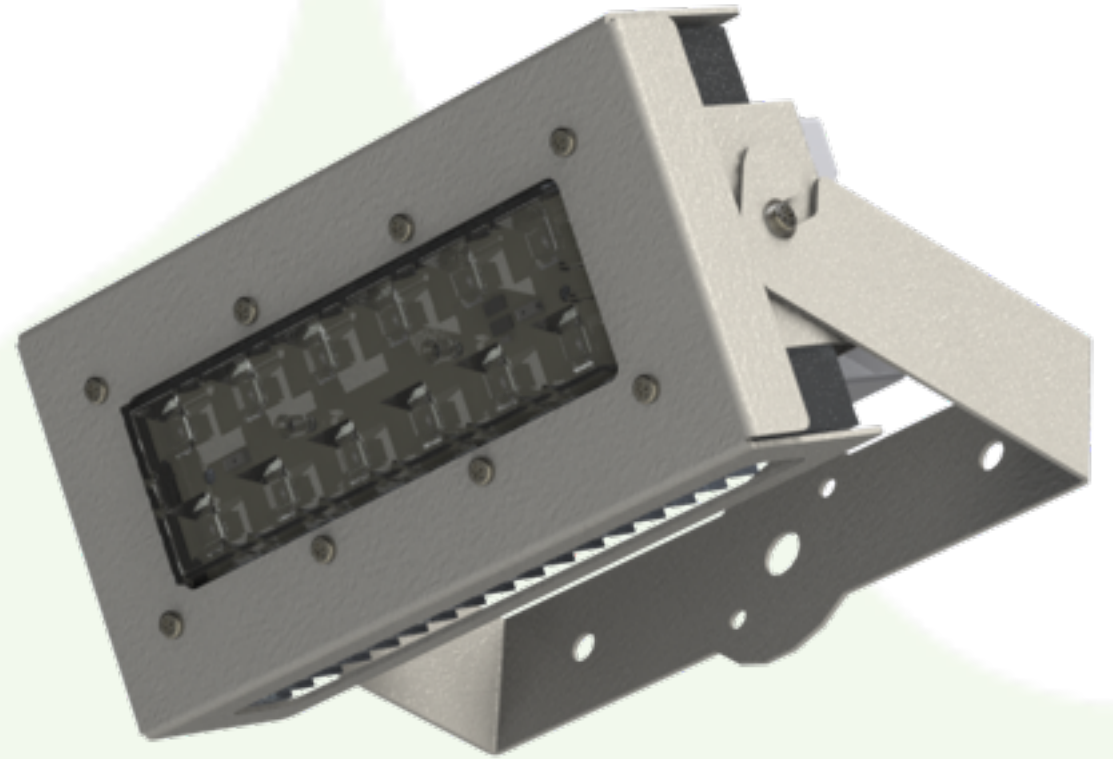
Clear images can be captured of intruders who unwittingly believe they are operating under the cover of darkness. Our range is also perfect for area cover where light pollution needs to be avoided such as hotels, residential complexes and parks.

The ALX IR range is the perfect choice when retrofitting area lighting, offering the benefits of power savings and preserving your current CCTV system without the need for a costly upgrade.

key advantages

- Extremely reliable LED lamp in IP67 Compartment
- Superior quality OSRAM LEDs
- Variable optics ensure units are aesthetically identical, while still optimising light distribution
- Very low maintenance
- 100% designed and manufactured in SA
- Lifespan of 80k / 100k hrs, lumen depreciation of not more than 20%/30% (L80B10/L70B10)
- Suitable for temperatures up to 45°C
- Designed for easy retrofit or new installation
- 5 or 8 year warranty options with 12 year design life
- Universal power input range 97-277VAC

product sheet



OSRAM
LED Technology included

actual infrared field results



before

after

applications

- Area Lighting
- Warehouses
- Industrial Areas & Workshops
- Refrigeration Rooms
- Signage
- Architectural
- Perimeter
- CCTV (IR range)

approved distributor



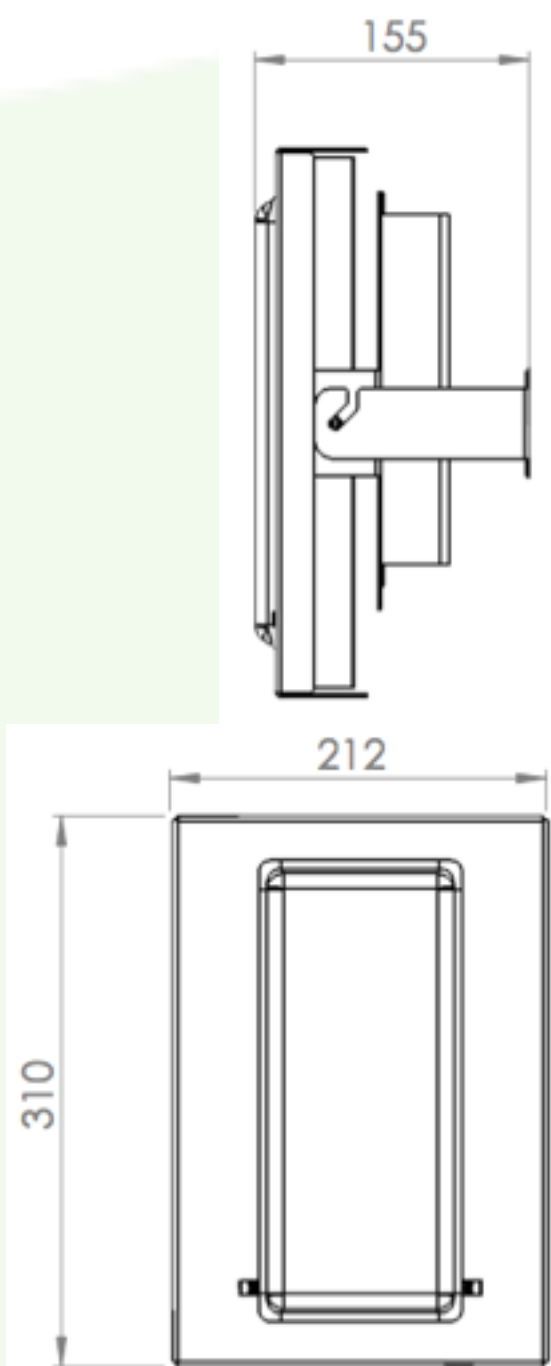
The ALX range is designed to be powerful, yet compact, with ease of installation in mind. The standard bracket can be used for suspended and roof/wall mounting. Installation is optimised to fit existing 50mm inspection boxes. They can also easily be placed in arrays for high mast lighting. Custom mounting brackets are available on request.

The housing can be specified in a range of material including stainless steel (3CR12) and all options are epoxy coated. The optics offers more vandal resistance than glass and the entire fitting is manufactured to the SANS 60598 standard for safety. This makes the ALX the most powerful units for size and power consumption on the market. This, together with our excellent after sales service, makes this product the superior choice for any area light installation.

Type:	Area Light LED Luminaire
Product Code :	ALX
Optical compartment protection:	IP67
Control gear protection:	IP65
Impact resistance (Polycarbonate):	IK5-10
Control gear Voltage:	90V – 295VAC 50Hz as well as 127-417VDC
Lamps:	High Power LED Module
Colour Temperature:	4000°K >80 CRI or 5700°K >70 CRI
Housing Material:	Coated Stainless Steel (3CR12)
Weight:	6.5Kg - 13.5Kg
Light engine:	Anodised Aluminium & PMMA
Standard Colour:	RAL 9003 (White)
Total Power Consumption:	15W - 240W
Temperature Range:	-30° C to 45° C
LED Lifespan (L80B10)*:	80 000 Hrs @45° C ambient 100 000 Hrs @35° C ambient

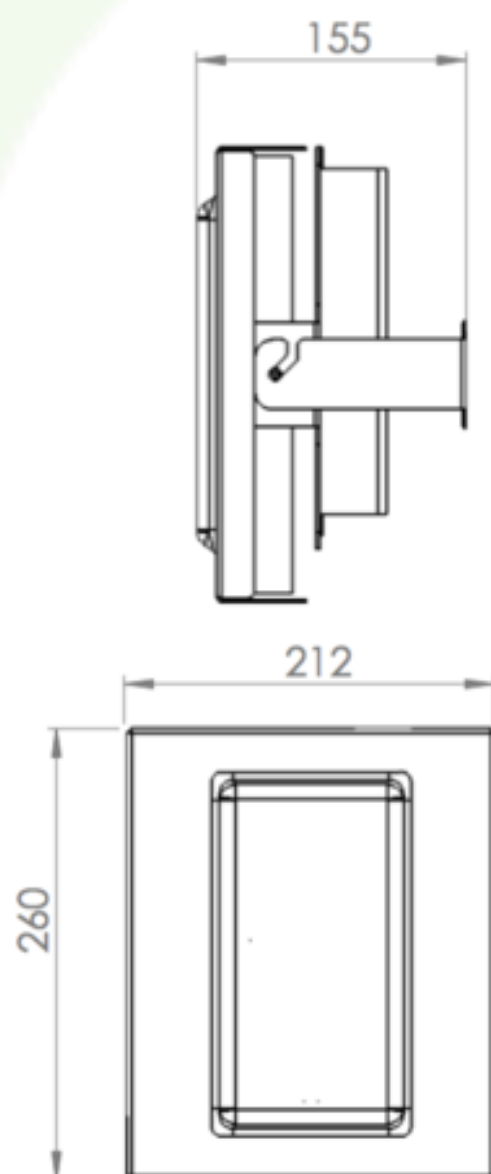
* Lumen depreciation not more than 10% in accordance with LM-80 – TM-21

housing dimensions



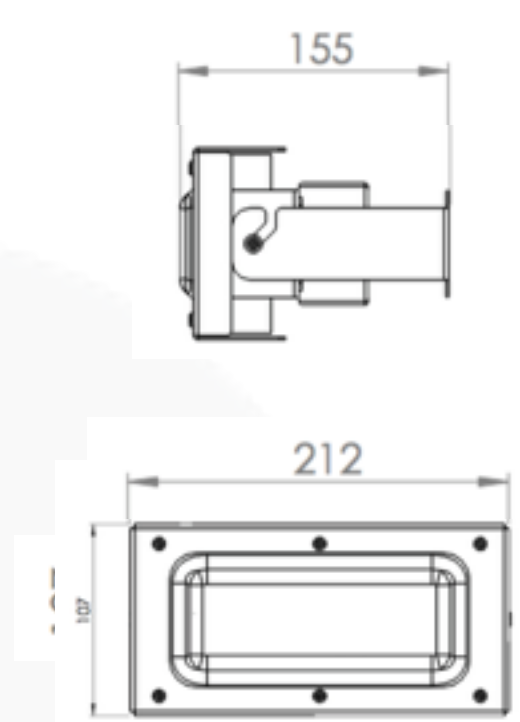
ALX-L

FLOOD 180w-240w
OPTICS 100w-240w



ALX-M

FLOOD 75w-150w
OPTICS 50w-75w



ALX-S

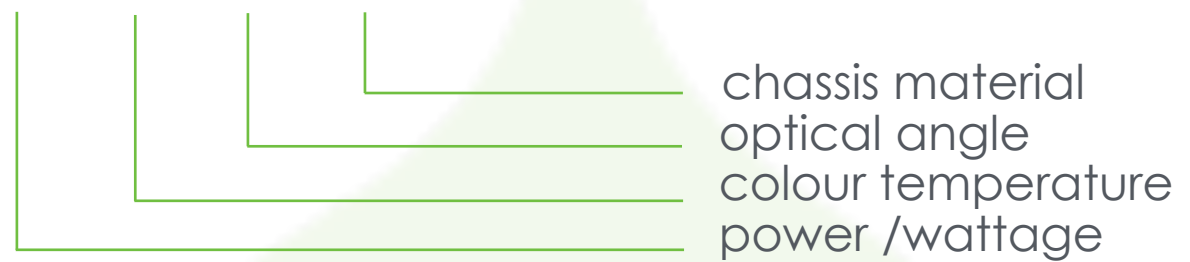
FLOOD 15w-60w
OPTICS 15w-40w

approved distributor



The ALX range of luminaires comes standard in a range of wattages from 15w - 240w. These are housed in 3 different sizes and conveniently labelled small, medium and large. All models are available with various beam angles, colour temperatures and materials, allowing the ALX to be the perfect fit for any area light requirements. Contact us with your specific lighting requirements and we will be happy to customise a solution for you.

PRODUCT CODE: ALX | W | C | O | M



STANDARD FLOOD

power / wattage	colour temperature	optical angle	chassis material
S15 - 15w / 1927Lm	30 - 3000°k	M - 80° Medium	C - SS 3CR12
S30 - 30w / 4479Lm	40 - 4000°k	W - 120° Wide	S - SS 316
S50 - 50w / 7166Lm	50 - 5000°k		
S60 - 60w / 8361Lm	57 - 5700°k		
M75 - 75w / 10571Lm			
M100 - 100w / 13213Lm			
M150 - 150w / 21141Lm			
L180 - 180w / 24665Lm			
L240 - 240w / 30134Lm			

WITH OPTICS

power / wattage	colour temperature	optical angle	chassis material
SO15 - 15w / 1517Lm	30 - 3000°k	S - 19° Spot	C - SS 3CR12
SO25 - 25w / 3315Lm	40 - 4000°k	M - 27° Medium	S - SS 316
SO40 - 40w / 4700Lm	50 - 5000°k	W - 58° Wide	
SO60 - 60w / 5600Lm	57 - 5700°k	VW - 98° Very Wide	
MO75 - 75w / 6630Lm		O - 32° x 115 Oval	
MO90 - 90w / 8584Lm		C - Custom	
LO150 - 150w / 20720Lm			
LO220 - 220w / 27627Lm			

INFRARED FLOOD

power / radiant flux	wave length	optical angle	chassis material
SI25 - 25w / 10,78 Φ	8 - 850nm	M - 90° Medium	C - SS 3CR12
SI50 - 50w / 21,56 Φ	9 - 940nm	W - 150° Wide	S - SS 316

INFRARED WITH OPTICS

power / radiant flux	wave length	optical angle	chassis material
SIO20 - 20w / 8,60 Φ	8 - 850nm	S - 15° Spot	C - SS 3CR12
SIO40 - 40w / 17,20 Φ	9 - 940nm	M - 29° Medium	S - SS 316
		W - 42° Wide	