

overview

The HBX is a range of 30W-240W LED Luminaires designed to meet international standards in safety and durability with unsurpassed even light distribution. This is achieved using some of the leading secondary LED optics in the world which ensure that light is distributed to its intended location.

Combining leading German manufacturer, OSRAM Opto LEDs with solid thermal management, we extend the expected life span of the HBX Luminaires in the African climate. Furthermore, by eliminating moving parts, we have designed this Luminaire to be extremely durable.

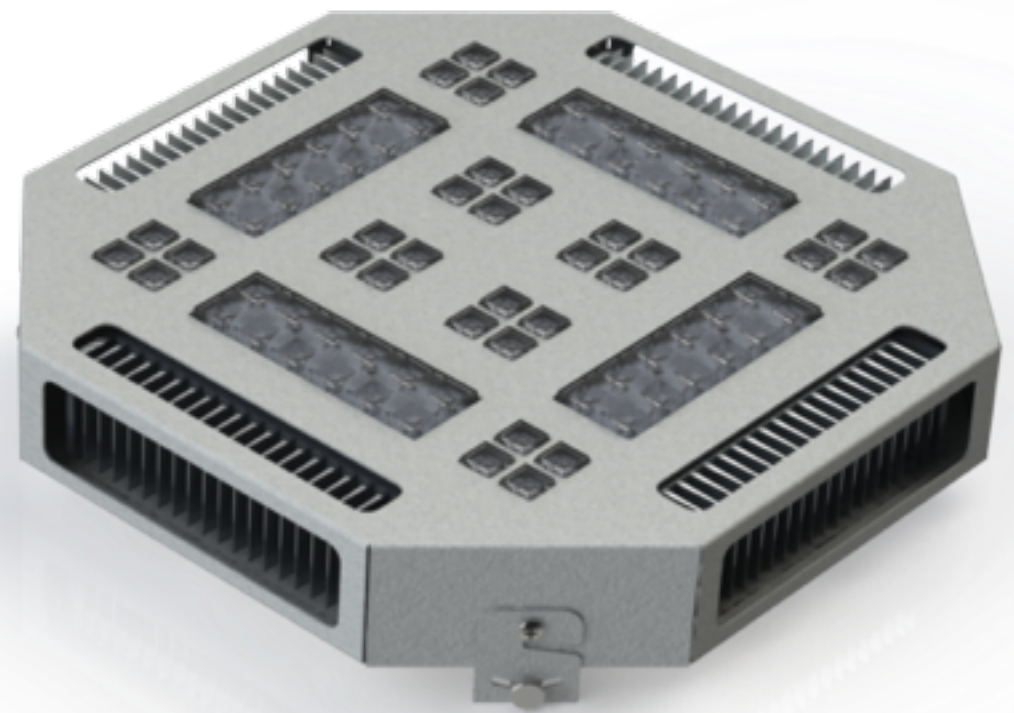
The HBX range offers a significant increase in light performance while reducing energy usage by up to 75%. Additional savings are made with virtually no maintenance, lamp and labour replacement costs or down time being required.

The HBX range is Renewable Ready. By simply replacing a single component it can run straight off renewable sources without the use of inverters making the entire range future proof! The industry standard DALI interface makes dimming and light level controls very easy.

key advantages

- Extremely reliable LED lamp in IP54 Compartment
- Superior quality OSRAM LEDs
- Variable optics ensure units are aesthetically identical, while still optimising light distribution
- Very low maintenance
- 100% designed and manufactured in SA
- Lifespan of 100k hrs, lumen depreciation of not more than 20% (L80B50)
- Suitable for temperatures from -30°C up to 45°C
- Designed for easy retrofit or new installation
- 5 year warranty with 12 year design life
- Optional daylight harvesting and DALI control available
- All cable entries IP67 rated glands

product sheet



OSRAM
LED Technology included

applications

- Warehouses
- Event Halls
- Industrial Areas & Workshops
- Freezer Rooms
- Showrooms

approved distributor



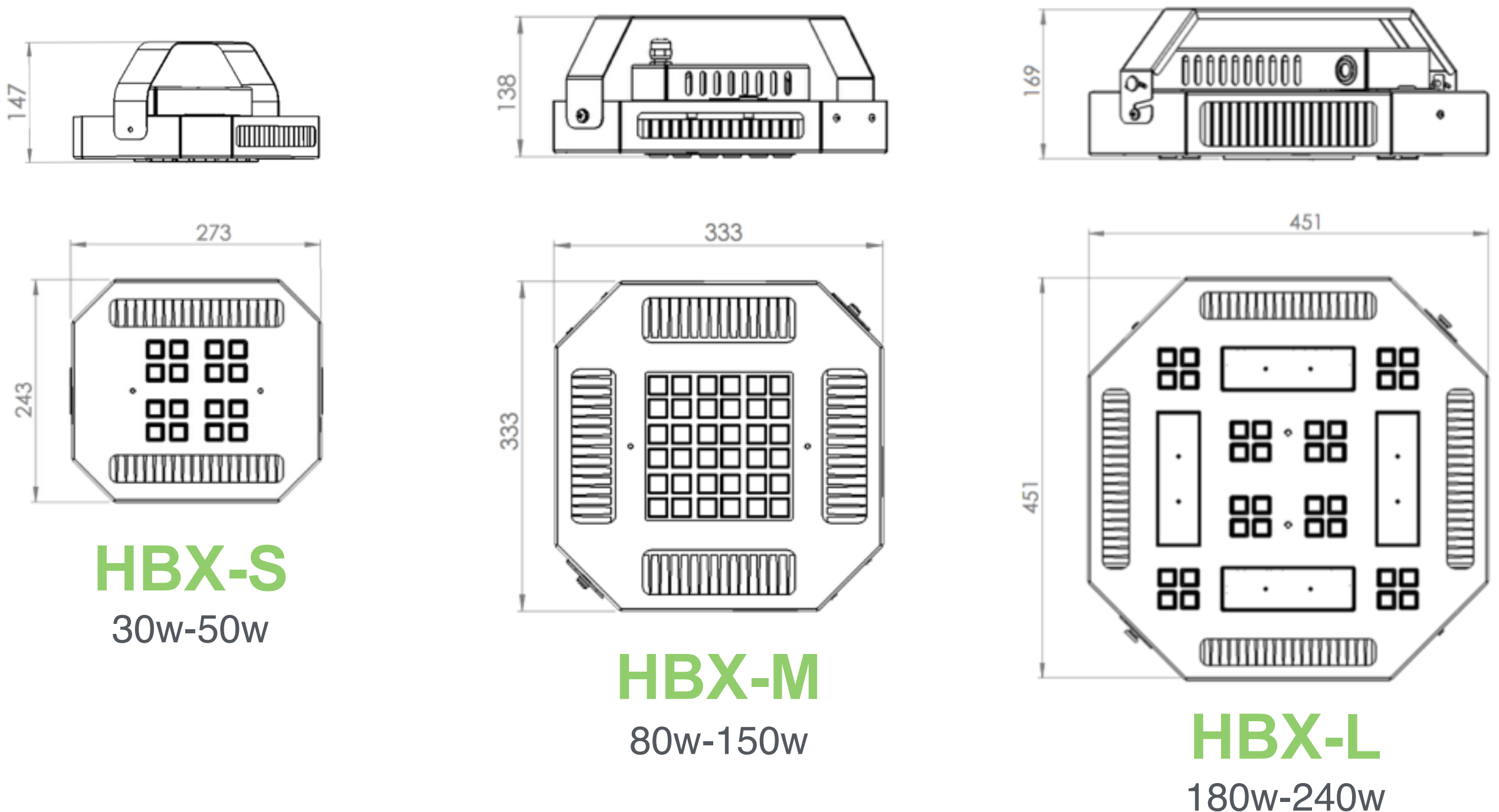
The HBX range is designed to be a powerful, yet compact, with ease of installation in mind. The standard bracket can be used for suspended and roof/wall mounting. Installation is optimised with the use of easy to open clips and no tools are required to open the driver compartment. The cable connectors are spring clip operated. Custom mounting brackets can be ordered if needed.

The housing is manufactured from a range of materials, stainless steel (3CR12) and epoxy coated. The optics offers more vandal resistance than glass and the entire fitting is manufactured to the SANS 605-98 standard for safety. The HBX is one of the most powerful units for size and power consumption on the market. This, together with Pro-Visual Technologies' excellent after sales service, makes this product the superior choice for any high bay installation.

Type:	High Bay LED Luminaire
Product Code :	HBX
Optical compartment protection:	IP54 (Freezer Room Type is IP67)
Control gear protection:	IP54 (Freezer Room Type is IP65)
Impact resistance (Polycarbonate):	IK7
Control gear Voltage:	90V – 295VAC 50Hz as well as 127-417VDC
Lamps:	Replaceable High Power LED Modules
Colour Temperature:	4000°K >80 CRI or 5700°K >70 CRI
Housing Material:	Coated Stainless Steel (3CR12)
Weight:	6.5Kg - 13.5Kg
Light engine:	Anodised Aluminium & PMMA
Standard Colour:	RAL 9003 (White)
Total Power Consumption:	30W - 240W
Temperature Range:	-30° C to 45° C
LED Lifespan (L80B50)*:	100 000 Hrs @45° C ambient

* Lumen depreciation not more than 20% in accordance with LM-80 – TM-21

housing dimensions



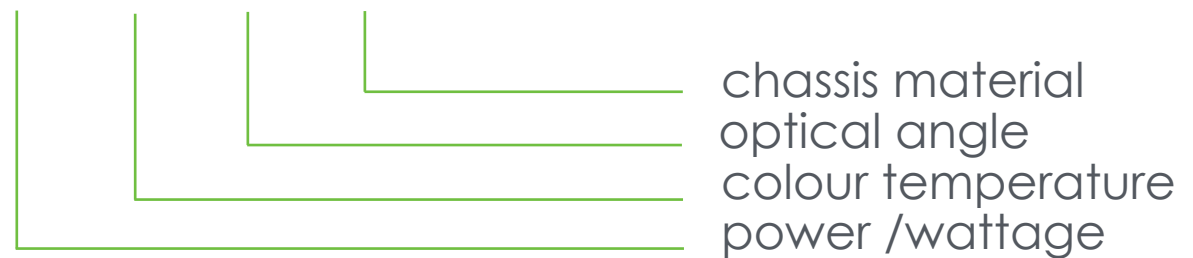
approved distributor





The HBX range of luminaires comes standard in 8 wattages from 30w - 240w. These are housed in 3 different sizes and conveniently labelled small medium and large. All models are available with various beam angles, colour temperatures and materials, allowing the HBX to be the perfect fit for any high bay environment. Contact us with your specific lighting requirements and we will be happy to customise a solution for you.

PRODUCT CODE: HBX | W | C | O | M



power /wattage	colour temperature	optical angle	chassis material
S30 - 30w / 3600Lm S50 - 50w / 6200Lm	40 - 4000°k	M - 35° Medium	C - SS 3CR12
M80 - 80w / 10000Lm M100 - 100w / 12000Lm M120 - 120w / 14000Lm M150 - 150w / 17500Lm	50 - 5000°k	W - 56° Wide R - Rack	S - SS 316
L180 - 180w / 24200Lm L240 - 240w / 30000Lm	57 - 5700°k	C - Custom	

* Add suffix '-F' for Freezer Room Type

approved distributor

